

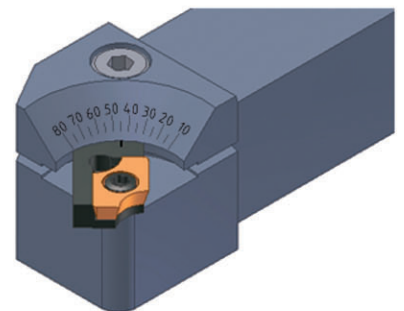
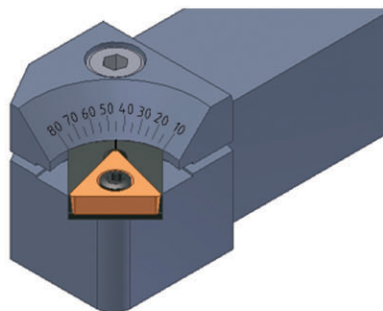
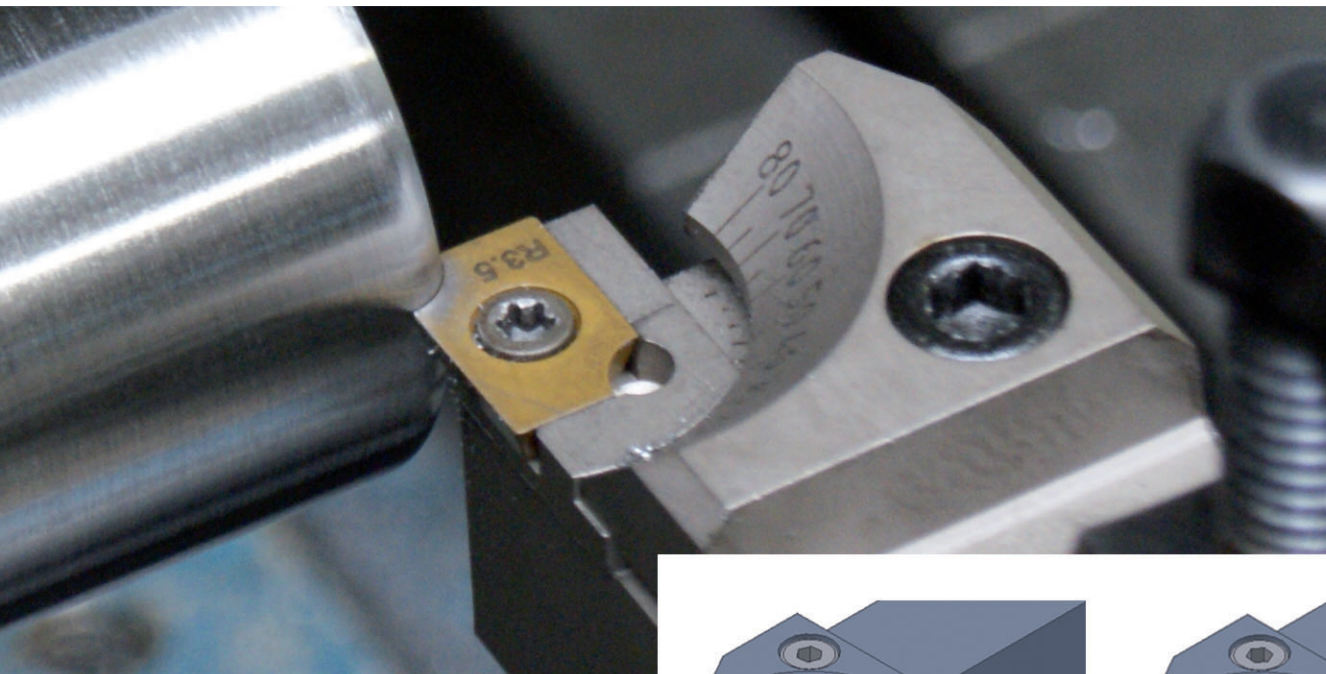
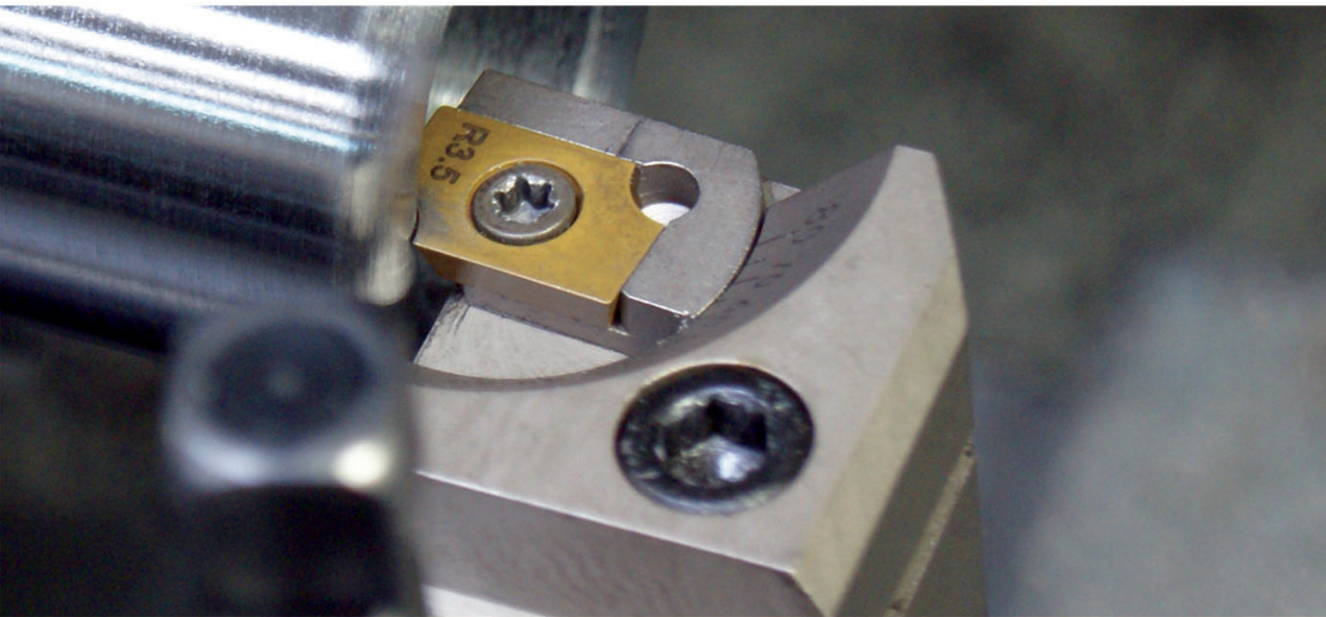
# CANELA MULTITURN

80 70 60 50 40 30 20 10

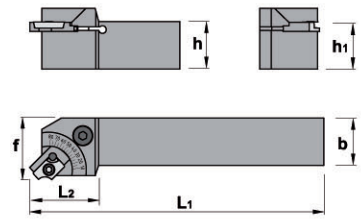
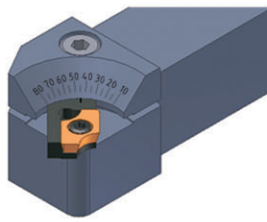
```
bool isPrime(int num)
{
    if(num == 1) return false;
    else
    {
        for(int i = 2; i < num; i++)
        {
            if(num % i == 0)
                return false;
        }
        return true;
    }
}

int main()
{
    int num;
    cout << "Enter a number: ";
    cin >> num;
    if(isPrime(num))
        cout << "It is a prime number." << endl;
    else
        cout << "It is not a prime number." << endl;
    return 0;
}

string filename;
cout << "Specify filename: ";
cin >> filename;
ifstream infile(filename);
if(!infile.is_open())
{
    cerr << "File not found." << endl;
    exit(-1);
}
else
{
    // ...
}
}
```

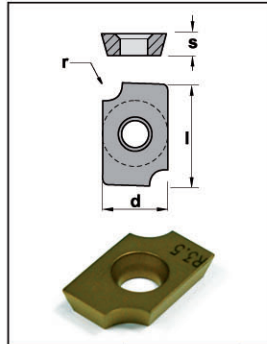


**EINES CANELA, S.A**  
Pol. Ind. "Les Guixeres"  
Torrent de Vallmajor, 88  
08915 Badalona (Catalonia)  
Tel.: +34.93 399 85 61  
Fax: +34 383 40 00  
canela@canelatools.com  
www.canelatools.com



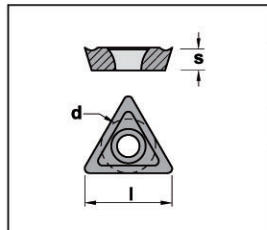
## SET STXCR 20

Ref.	STXCR 2020K16	h=h <sub>1</sub>	b	L <sub>1</sub>	L <sub>2</sub>	f
		20	20	125	27	25



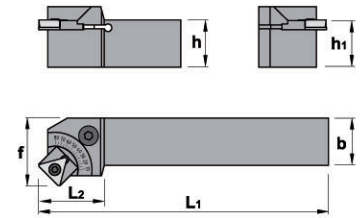
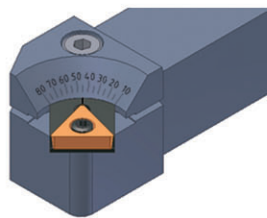
Ref.	ADMW-R	r	s	d
	ADMW 1503R1.0	1.0	3,18	9,52
	ADMW 1503R1.5	1.5	3,18	9,52
	ADMW 1503R2.0	2.0	3,18	9,52
	ADMW 1503R2.5	2.5	3,18	9,52
	ADMW 1503R3.0	3.0	3,18	9,52
	ADMW 1503R3.5	3.5	3,18	9,52
	ADMW 1503R4.0	4.0	3,18	9,52
	ADMW 1503R4.5	4.5	3,18	9,52
	ADMW 1503R5.0	5.0	3,18	9,52

Positive 15° clearance - Rectangular inserts.



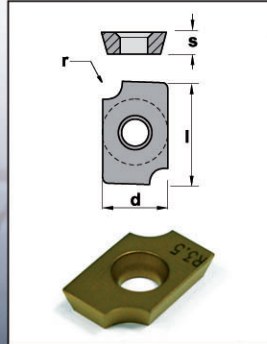
Ref.	TCMT	l	s	d
	TCMT 16T308-03TIN16	16,50	3,97	9,52

Positive 7° clearance - Triangular inserts.



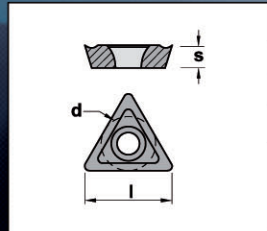
## SET STXCR 25

Ref.	STXCR 2525M16	h=h <sub>1</sub>	b	L <sub>1</sub>	L <sub>2</sub>	f
		25	25	150	27	32



Ref.	ADMW-R	r	s	d
	ADMW 1503R1.0	1.0	3,18	9,52
	ADMW 1503R1.5	1.5	3,18	9,52
	ADMW 1503R2.0	2.0	3,18	9,52
	ADMW 1503R2.5	2.5	3,18	9,52
	ADMW 1503R3.0	3.0	3,18	9,52
	ADMW 1503R3.5	3.5	3,18	9,52
	ADMW 1503R4.0	4.0	3,18	9,52
	ADMW 1503R4.5	4.5	3,18	9,52
	ADMW 1503R5.0	5.0	3,18	9,52

Positive 15° clearance - Rectangular inserts.



Ref.	TCMT	l	s	d
	TCMT 16T308-03TIN16	16,50	3,97	9,52

Positive 7° clearance - Triangular inserts.

